



## Tuttnauer T-Edge 10 Fully Automatic Tabletop Autoclave User Guide

[Home](#) » [Tuttnauer](#) » Tuttnauer T-Edge 10 Fully Automatic Tabletop Autoclave User Guide 

Tuttnauer T-Edge 10 Fully Automatic Tabletop Autoclave User Guide



## Contents

- 1 REQUIRED SAFETY CAUTIONS
- 2 T-EDGE OVERVIEW
- 3 CONNECTING T-EDGE
- 4 POWERING UP T-EDGE
- 5 INITIAL DATE AND LANGUAGE SETUP
  - 5.1 USER INTERFACE
- 6 RESETTING ATMOSPHERIC PRESSURE
- 7 FILLING T-EDGE WITH WATER
  - 7.1 LOADING EQUIPMENT INTO T-EDGE
  - 7.2 SELECTING STERILIZATION PROGRAM
- 8 LOCKING THE DOOR
  - 8.1 RUNNING STERILIZATION PROGRAM
  - 8.2 REMOVING STERILIZED EQUIPMENT
  - 8.3 TURNING OFF T-EDGE
- 9 TROUBLESHOOTING
- 10 TECHNICAL SPECIFICATIONS – CLASS B PROGRAMS
  - 10.1 STERILIZATION PROGRAMS
- 11 Support
- 12 Documents / Resources
  - 12.1 References
- 13 Related Posts

## REQUIRED SAFETY CAUTIONS

**IMPORTANT:** Read the safety section in the T-Edge operation manual prior to operating T-Edge



**CAUTION:** Hot surface.



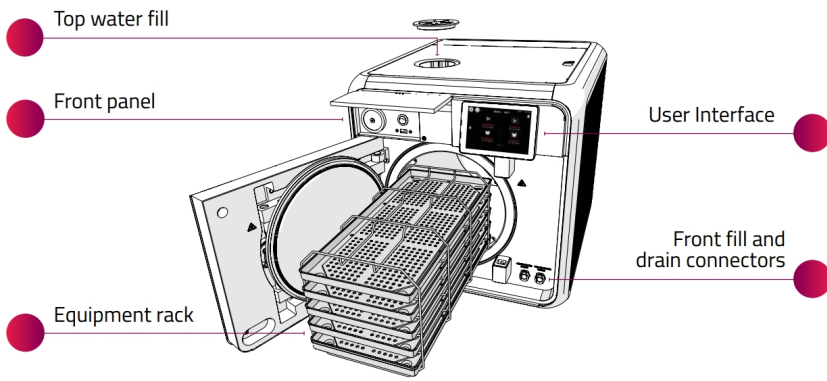
**CAUTION:** It is recommended that a ground fault circuit breaker (GFCI) be installed on the power outlet

**NOTE:** Refer to the T-Edge manual before operating the device/autoclave

## T-EDGE OVERVIEW

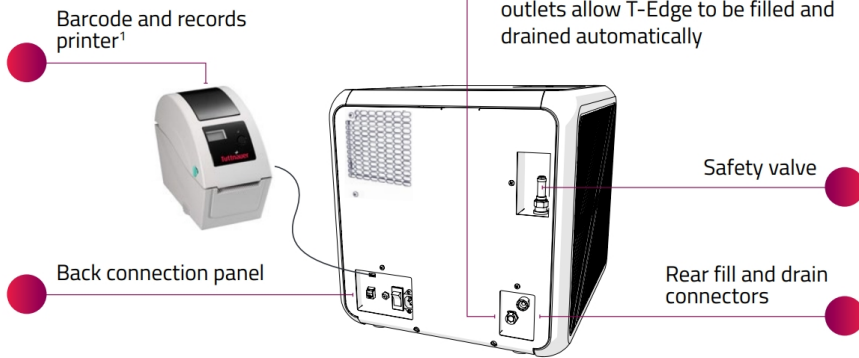
T-Edge is a fully automatic tabletop autoclave designed for sterilization of equipment used in first aid rooms, hospitals, dental clinics and medical clinics. It provides the following benefits:

- Strict compliance with international safety standards.
- Clinically proven sterilization capabilities.
- Optimal chamber capacity with convenient equipment loading.
- High-resolution tactile touchpad with a user friendly interface.



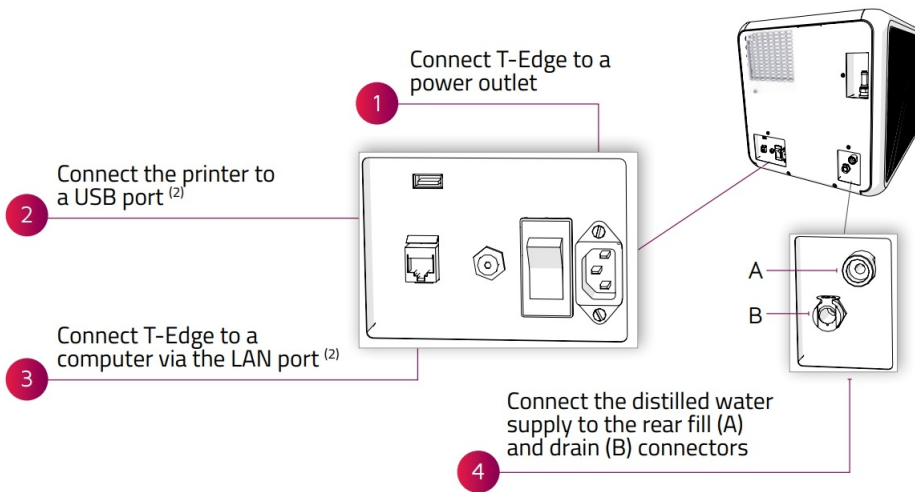
**NOTE:**

The back fill (optional) and drain outlets allow T-Edge to be filled and drained automatically

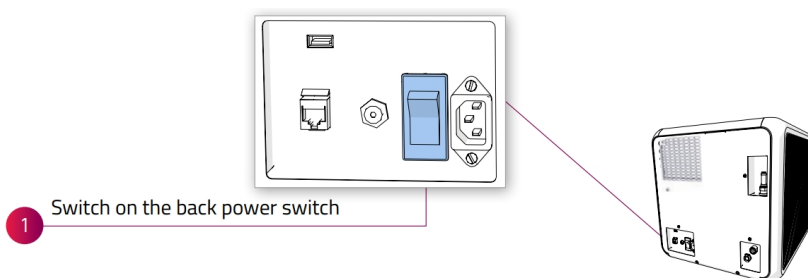


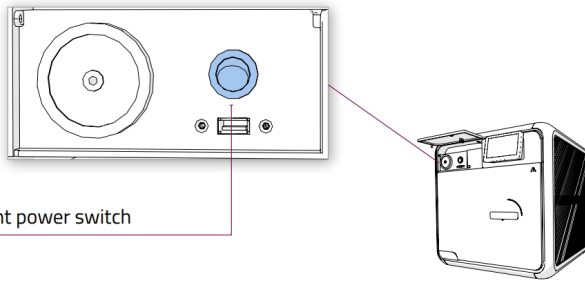
Optional equipment is supplied based on specific customers order.

**CONNECTING T-EDGE**



**POWERING UP T-EDGE**



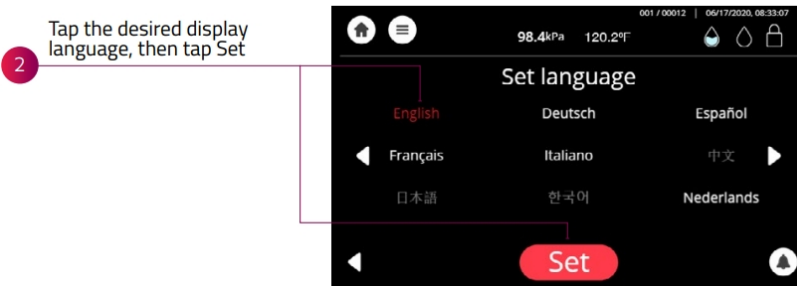
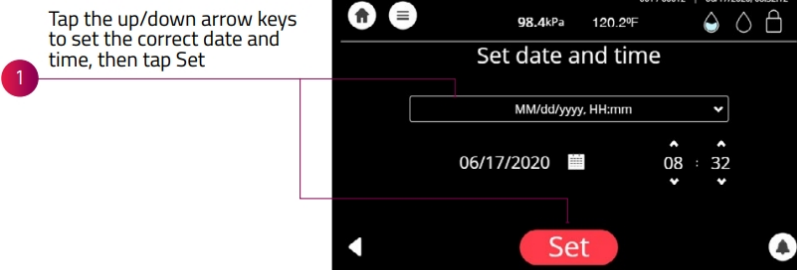


2 Switch on the front power switch

<sup>2</sup>Use of these ports and connectors is optional

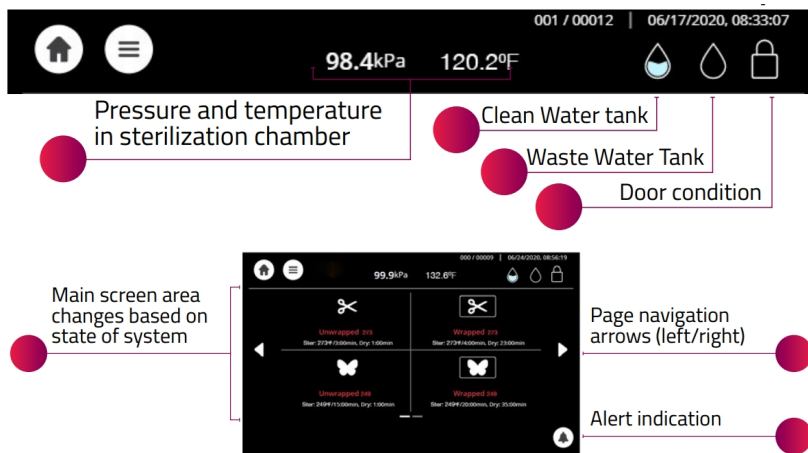
## INITIAL DATE AND LANGUAGE SETUP

When T-Edge powers on for the first time, perform the following steps:



## USER INTERFACE

### Top bar



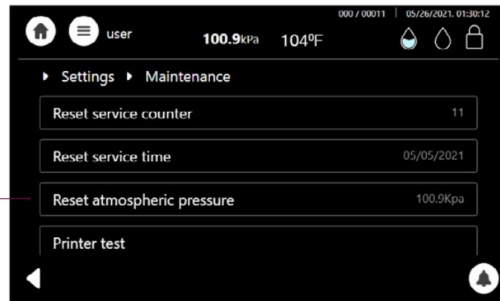
## RESETTING ATMOSPHERIC PRESSURE

Prior to running the first cycle, resetting the atmospheric pressure is required.

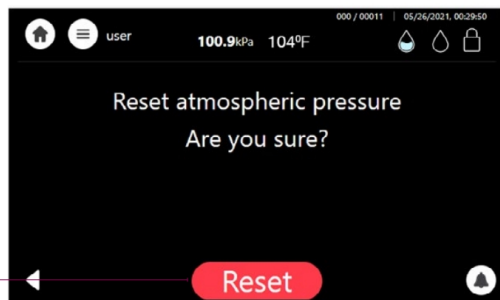
To reset the atmospheric pressure, you must first open the Autoclave door and verify that the chamber's temperature is below 113°F.



2 Tap on Reset atmospheric pressure

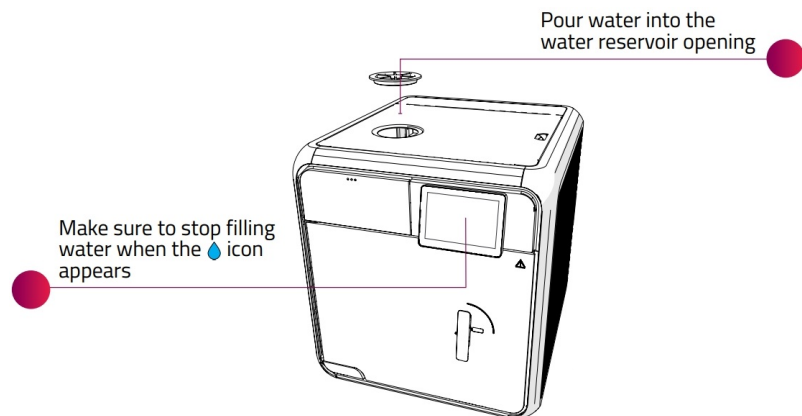


3 Tap on Reset



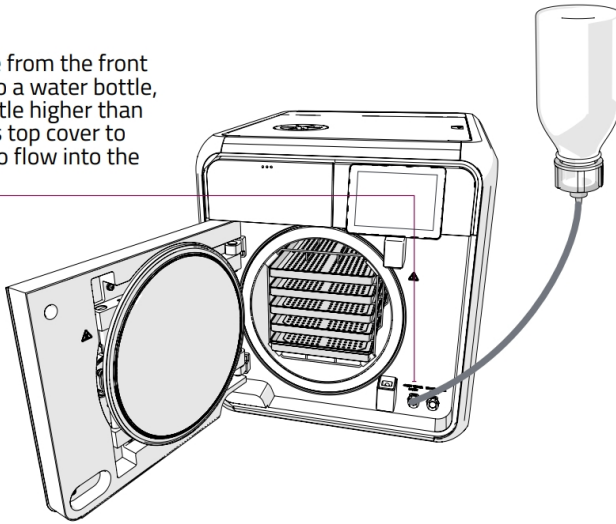
## FILLING T-EDGE WITH WATER

Fill the water reservoir with distilled water as described below:



**NOTE:** The upper water insertion cover design may vary.

Connect a tube from the front fill connector to a water bottle, and lift the bottle higher than the autoclave's top cover to enable water to flow into the reservoir

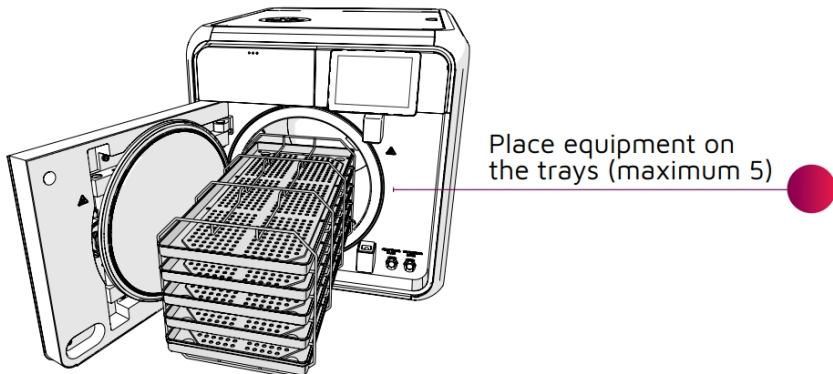


**NOTE:** Use flexible soft bottles (do not use glass or rigid plastic bottles)

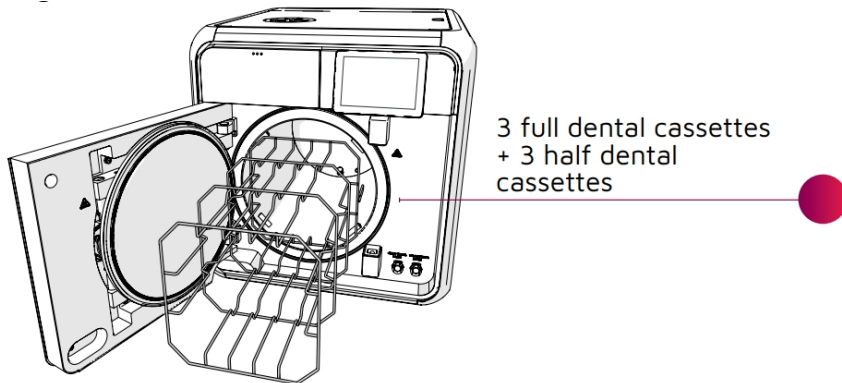
**NOTE:** You may only fill T-Edge manually if it is not connected to the water supply facilities.

### LOADING EQUIPMENT INTO T-EDGE

Load equipment into T-Edge in one of the following ways:

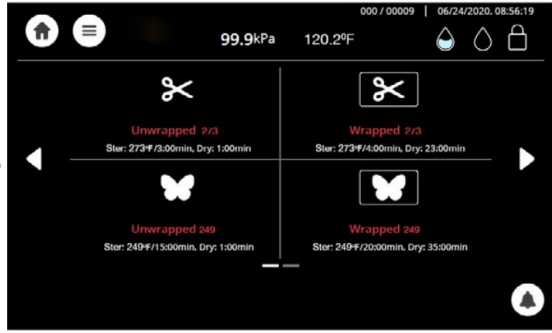


**NOTE:** Equipment must be thoroughly cleaned prior to loading.



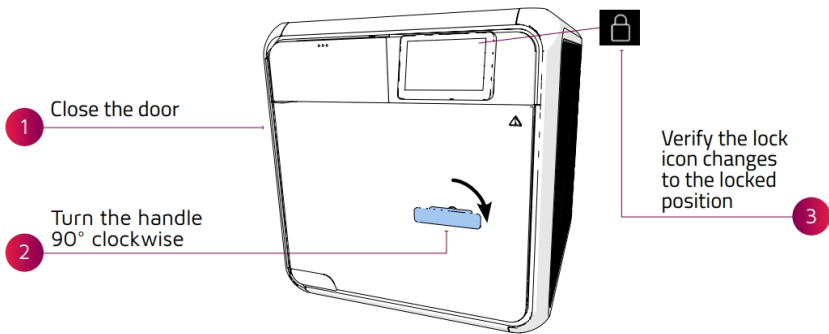
### SELECTING STERILIZATION PROGRAM

- 1 Take note of the equipment in the chamber
- 2 Tap the relevant program on the screen

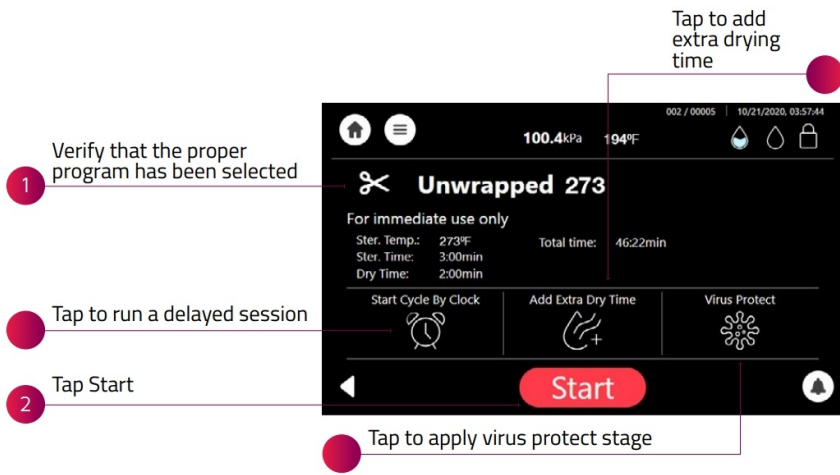


**NOTE:** The door must be open in order to select a program.

## LOCKING THE DOOR



## RUNNING STERILIZATION PROGRAM



- 1 Verify that the proper program has been selected

Tap to run a delayed session

- 2 Tap Start

Tap to apply virus protect stage

Tap to add extra drying time

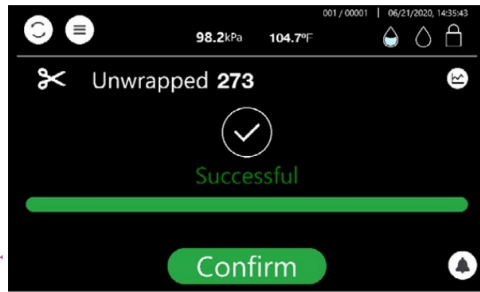
- 3 View status

Progress bar

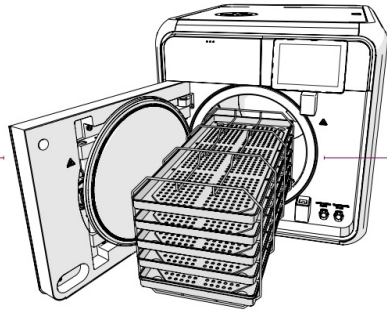
If necessary, tap to stop sterilization process



## REMOVING STERILIZED EQUIPMENT



1 Tap Confirm



2 Open door

Remove the equipment rack using the handle

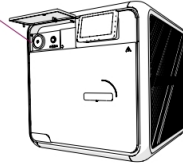
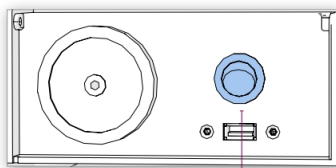
3



**CAUTION!**



Equipment rack is extremely hot watch for vapor release when opening the chamber

**TURNING OFF T-EDGE**






Switch off T-Edge using the front power switch

**TROUBLESHOOTING**

Issue/Message	Description	Required Action
	Full water level (waste water tank)	Empty waste water reservoir
	Low water level (waste water tank)	Informative symbol. No action required



	<p>Empty water level (waste water tank)</p>	<p>Informative symbol. No action required</p>
	<p>Full water level (clean water tank)</p>	<p>Informative symbol. No action required</p>
	<p>Low water level (clean water tank)</p>	<p>Fill the water reservoir (clean water tank)</p>
	<p>Alert</p>	<p>Tap icon to read a description of the alert</p>
 <p>Cycle Failed</p>	<p>Sterilization cycle failed due to the cycle being stopped by the user or due to a run-time error</p>	<p>Perform a new sterilization cycle</p>
<p>Blank display</p>	<p>User interface display is blank when T-Edge is turned on</p>	<p>Make sure the power switch on the back is turned ON Make sure the power cord is properly connected to the device and to the wall outlet Verify proper electrical power supply</p>
<p>“Low Temp” “High Temp” “High Temp (Ending)” “Low Pressure” “High Pressure” “High Pressure (Ending)” “High Pressure (Exhaust)” “High Pressure (Dry)” “Door is open (During the cycle)” “Canceled By User” “Air Error” “Power Down”</p>	<p>Various reasons (please refer to the Operation and Maintenance manual for more detailed information)</p>	<p>Perform a new sterilization cycle</p>





<p>“Heat Time Error” “Pressure Time Error”</p>	<p>Various reasons (please refer to the Operation and Maintenance manual for more detailed information)</p>	<p>Verify that T-Edge is not overloaded</p>
--	---	---





**TECHNICAL SPECIFICATIONS – CLASS B PROGRAMS**

Autoclave Model	Chamber ( Size ) Inches	Volume	Overall Dimensions D x W x H (Inches)	No. of Trays	Connections	Standard Cassette Capacity	Item Supplies	Voltage (V) Freq. (Hz)	Weight
T-Edge 10 220 V	18" depth x 10" diameter	6 gal/23 liters	21.1"x19" x19.7"	5	1 ethernet port, 4 USB ports, WiFi, intergrated automatic water filling and drain connection	3 Full + 3 Half	Drain tube, tray holder	230V, Frq 50-60Hz	117 lbs.
T-Edge 10 110 V	18" depth x 10" diameter	6 gal/23 liters	21.1"x19" x19.7"	5	1 ethernet port, 4 USB ports, WiFi, intergrated automatic water filling and drain connection	3 Full + 3 Half	Drain tube, tray holder	120V, Frq 50-60Hz	117 lbs.

T-Edge 11 110 V	18" depth x 11" diameter	7 gal/27 liters	21.1"x20" x19.7"	5	1 ethernet port, 4 USB ports, WiFi, integrated automatic water filling and drain connection	4 Full + 4 Half	Drain tube, tray holder	120V, Frq 50-60Hz	124 lbs.
-----------------	--------------------------	-----------------	------------------	---	---	-----------------	-------------------------	-------------------	----------

### STERILIZATION PROGRAMS

	Icon	Cycle Program	Load Type	*T-Edge10 Cycle Times Including Drying (Minutes)	*T-Edge11 Cycle Times Including Drying (Minutes)
<b>CLASS</b>		Unwrapped Instr. 2700 F	Unwrapped Instruments	20 Minutes	25 Minutes
		Wrapped Pouches 2700 F	Wrapped Pouches	32 Minutes	43 Minutes
		Unwrapped Delicate 2500 F	Unwrapped Delicate Instruments	45 Minutes	47 Minutes
		Handpieces 2700 F	Handpieces	45 Minutes	59 Minutes

	Icon	Cycle Program	Load Type	*T-Edge10 Cycle Times Including Drying (Minutes)	*T-Edge11 Cycle Times Including Drying (Minutes)
<b>CLASS B</b>		Unwrapped Instr. 2730 F	Unwrapped Instruments	20 Minutes	26 Minutes
		Wrapped Pouches 2730 F	Wrapped Pouches	39 Minutes	49 Minutes
		Unwrapped Delicate 2500 F	Unwrapped Delicate Instruments	35 Minutes	35 Minutes
		Wrapped Delicate 2500 F	Wrapped Delicate Instruments	58 Minutes	75 Minutes

\*Cycle times are approximate and may vary based on the instrument load, heating, sterilization and drying.

## Support

International Sales and Marketing

**E-mail:** [info@tuttnauer.com](mailto:info@tuttnauer.com)

[www.tuttnauerusa.com](http://www.tuttnauerusa.com)

Tuttnauer USA Co., Ltd.

25 Power Drive, Hauppauge, NY 11788

**Tel:** +800 624 5836, +631 737 4850

**Fax:** +631 737 0720

**E-mail:** [info@tuttnauerUSA.com](mailto:info@tuttnauerUSA.com)

[www.tuttnauerUSA.com](http://www.tuttnauerUSA.com)

### Distributed by:

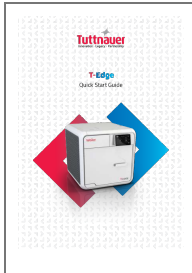
Copyright © 2022 Tuttnauer Ltd, all rights reserved. No part of this publication may be reproduced, transmitted, transcribed, stored in a retrieval system, or translated into any language or computer language, in any form or by any means, electronic, mechanical or otherwise without prior written permission of Tuttnauer Ltd.

### Learn from our experts

Join our blog [tuttnauerusa.com/blog](http://tuttnauerusa.com/blog)



## Documents / Resources



[Tuttnauer T-Edge 10 Fully Automatic Tabletop Autoclave \[pdf\] User Guide](#)  
T-Edge 10, Fully Automatic Tabletop Autoclave, T-Edge 10 Fully Automatic Tabletop Autoclave

## References

- [Blog | Tuttnauer USA](#)
- [Autoclave sterilizers for sterile processing | Tuttnauer USA](#)

Manuals+